

KOSC504PPS

KitchenAid®

24" Smart Single Wall Oven with True Convection

<http://www.kitchenaid.com>



Key Features:

- True Convection
- Smart Appliance
- Five-Level Rack Support
- Flush Installation Option
- Self-Cleaning Cycle
- PrintShield™ Finish
- Touchscreen Controls
- Broil Element
- Self-Close Doors
- Trim Kit Included
- 2.6 Cu. Ft. Capacity

Additional Information:

[Owners Manual](#)

[Dimension Guide](#)

[Installation Guide](#)

[Warranty Certificate](#)

Available in:

 Fingerprint
Resistant Stainless
Steel

©Registered trademark/TM Trademark of Whirlpool, U.S.A. © 2023 Whirlpool Corporation. All Rights Reserved.
All other trademarks are owned by their respective companies.

Because Whirlpool Corporation policy includes a continuous commitment to improve our products, we reserve the right to change materials and specifications without notice. We also reserve the right to discontinue or transition products without notice.

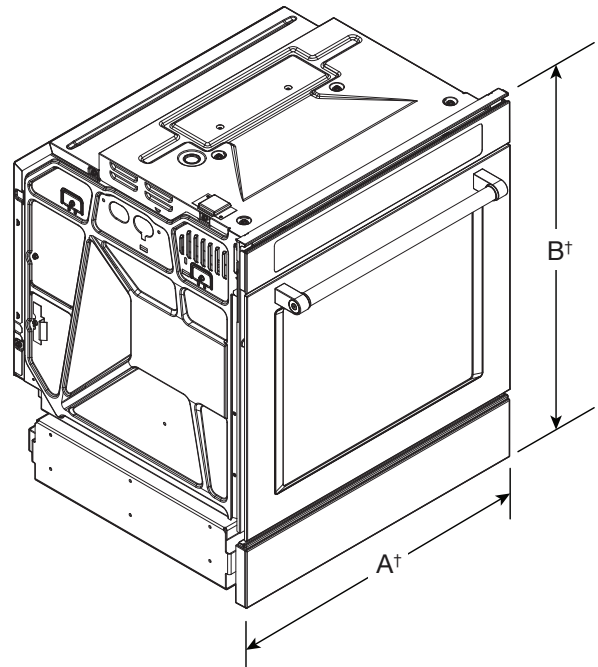
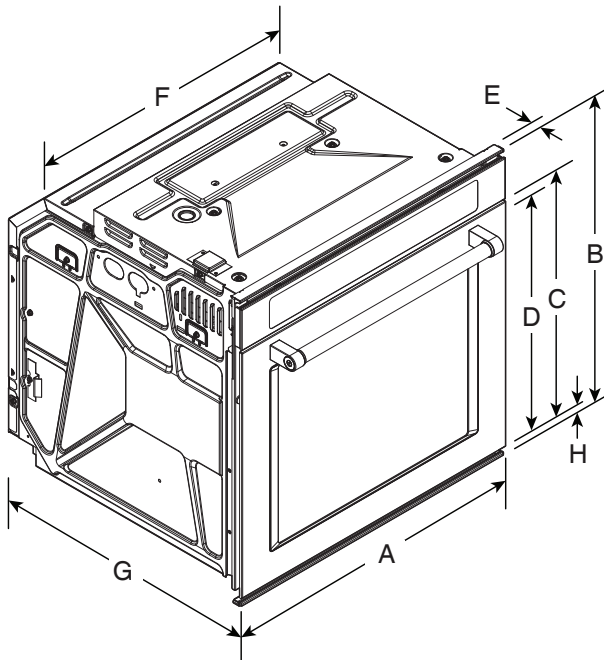
Manufacturer's Suggested Retail Price (MSRP) and Minimum Advertised Price (MAP) provided for reference purposes only. Dealer alone determines advertised and retail prices.

Created On: Saturday, May 27, 2023 07:22:29

SINGLE WALL OVEN

PRODUCT DIMENSIONS

MODEL #	Unit of Measurement	YKOSC504P*		KOSC504P*	
		in	cm	in	cm
A	Overall Width	23 ⁷ / ₁₆	59.5	23 ⁷ / ₁₆	59.5
B	Overall Height	23 ⁷ / ₁₆	59.5	27 ¹⁵ / ₁₆	71
C	Height of Door	18 ¹⁵ / ₁₆	48.1	18 ¹⁵ / ₁₆	48.1
D	Height of Door Handle	18 ³ / ₈	46.6	18 ³ / ₈	46.6
E		7/8	2.2	7/8	2.2
F	Minimum Cabinet Width for Standard Installation	21 ⁷ / ₈	55.6	21 ⁷ / ₈	55.6
G	Overall Depth	22 ¹ / ₂	57.2	22 ¹ / ₂	57.2
H		5/8	1.6	5/8	1.6

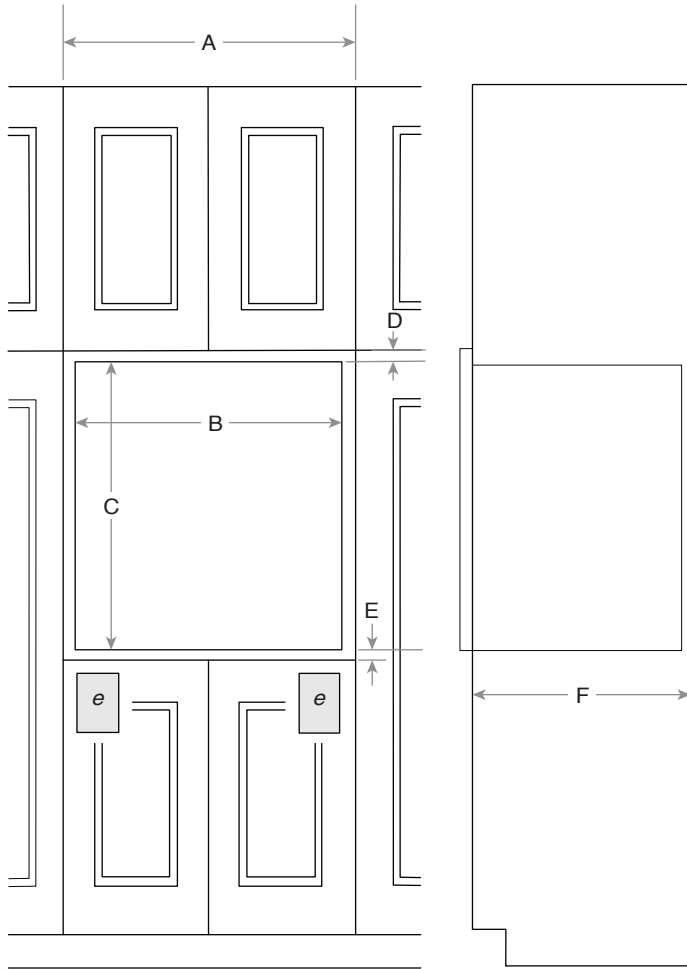


†Applicable for KOSC504P*

IMPORTANT: Dimensional specifications are provided for planning purposes only.
Do not make any cutouts based on this information. Refer to the Installation Guide before selecting cabinetry, verifying electrical/gas connections, making cutouts or beginning installation. All KitchenAid® appliances are appropriately UL, CUL or CSA approved.

Single Wall Oven - Traditional Installation

OPENING/CLEARANCE DIMENSIONS

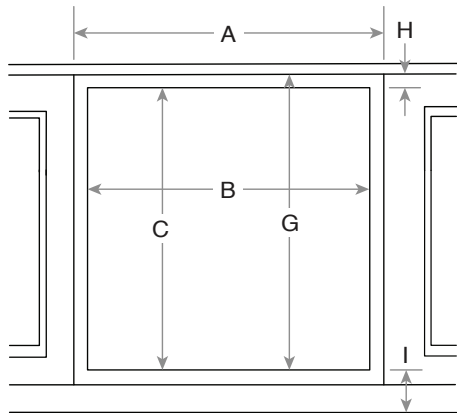


FRONT VIEW

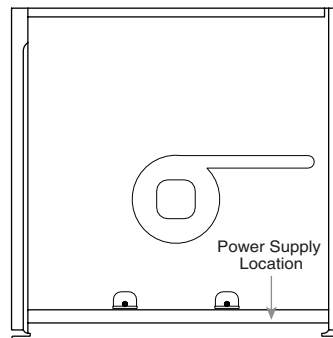
SIDE VIEW

	Unit of Measurement	in	cm
A	Width of Cabinet (minimum)	24	61
B	Width of Cutout (minimum)	22 ⁵ / ₈	57.5
C	Height of cutout without trim Height of cutout with trim	22 ¹⁵ / ₁₆ 27 ³ / ₄	58.2 70.5
D	Top of cutout to bottom of upper cabinet door (minimum)	1/4	0.65
E	Bottom of cutout to top of lower cabinet door (minimum)	1/2	1.2
F	Depth of cutout (minimum)	23 ¹ / ₄	59.1
G	Underside of countertop to bottom of cutout (minimum)	31 ³ / ₈	79.7
H	Top of cutout to underside of countertop (minimum)	2 ⁵ / ₈	6.7
I	Bottom of cutout to floor (minimum)	3 ⁷ / ₈	9.8
e	Recommended junction box location		

NOTE: True dimensions are in mm or cm and converted to inches.



UNDER COUNTER INSTALLATION



BACK VIEW

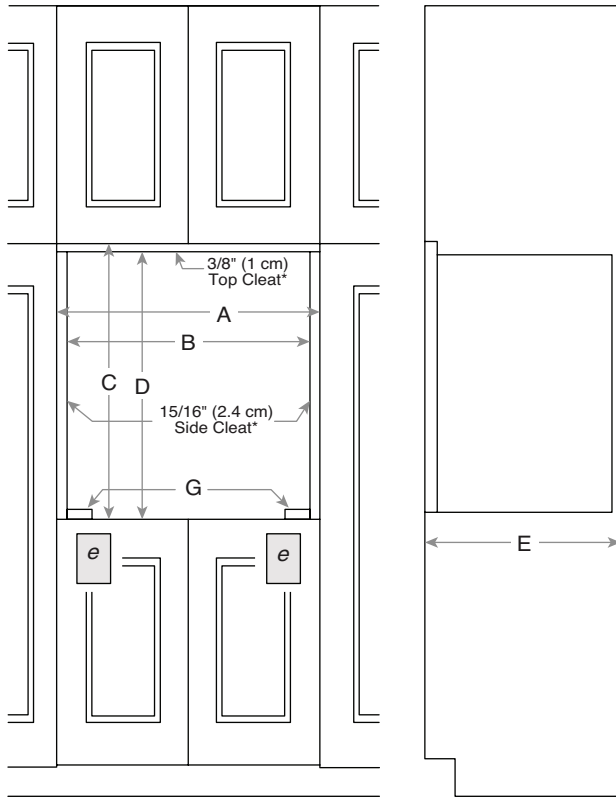
IMPORTANT: Dimensional specifications are provided for planning purposes only.

Do not make any cutouts based on this information. Refer to the Installation Guide before selecting cabinetry, verifying electrical/gas connections, making cutouts or beginning installation.

All KitchenAid® appliances are appropriately UL, CUL or CSA approved.

Single Wall Oven - Flush Installation

OPENING/CLEARANCE DIMENSIONS

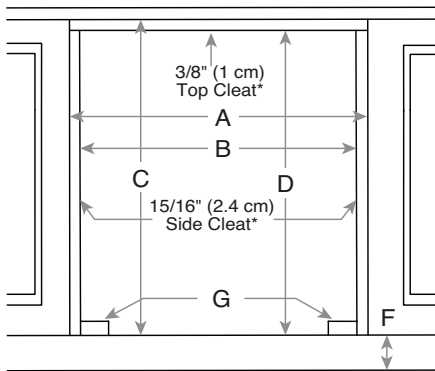


FRONT VIEW

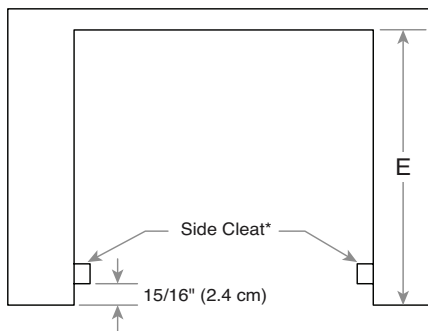
SIDE VIEW

	Unit of Measurement	in	cm
A	Width of flush inset cutout (minimum)	23 ¹¹ / ₁₆	60.1
B	Width of opening (minimum)	22 ⁵ / ₈	57.5
C	Height of flush inset cutout without trim kit (minimum)	23 ³ / ₄	60.3
	Height of flush inset cutout with trim kit (minimum)	28 ¹ / ₄	71.8
D	Height of opening without trim (minimum)	23 ³ / ₈	59.3
	Height of opening with trim (minimum)	27 ⁷ / ₈	70.8
E	Depth of cutout (minimum)	23 ¹ / ₄	59.1
F	Bottom of cutout to floor for under counter installation (minimum)	4 ¹ / ₁₆	10.3
G	Spacer (entire depth of cutout) Height X Width 3/8" x 2" (1 cm X 5.1 cm)		
e	Recommended junction box location		

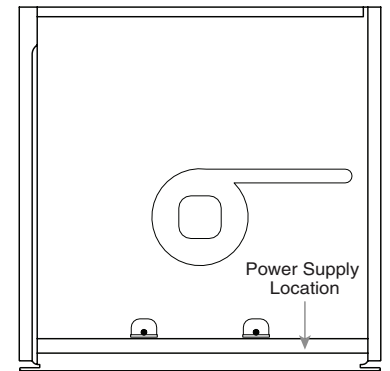
NOTE: True dimensions are in mm or cm and converted to inches.



UNDER COUNTER INSTALLATION



TOP VIEW



BACK VIEW

IMPORTANT: Dimensional specifications are provided for planning purposes only. Do not make any cutouts based on this information. Refer to the Installation Guide before selecting cabinetry, verifying electrical/gas connections, making cutouts or beginning installation. All KitchenAid® appliances are appropriately UL, CUL or CSA approved.

SINGLE WALL OVEN ELECTRICAL REQUIREMENTS

Electrical Requirements Checklist:

- Oven must be connected to the proper electrical voltage and frequency as per table below:

Type of Oven	Model Series	Voltage	Frequency	Rating
Single	KOSC504P*, YKOSC504P*	208 V	60 Hz	3.2 kW
		240 V	60 Hz	4.2 kW

- Separate 20 A circuit is required.
- A dedicated circuit breaker is recommended.

RECOMMENDED ELECTRICAL OUTLET ZONE



FRONT VIEW

SIDE VIEW

NOTE: If you have questions about your electrical supply, call a licensed, qualified electrician.

IMPORTANT: Dimensional specifications are provided for planning purposes only. **Do not make any cutouts based on this information.** Refer to the Installation Guide before selecting cabinetry, verifying electrical/gas connections, making cutouts or beginning installation. All KitchenAid® appliances are appropriately UL, CUL or CSA approved.