

# Dual Fuel Range, 36", 5 Burners, Self-cleaning

Series 9 | Classic

White

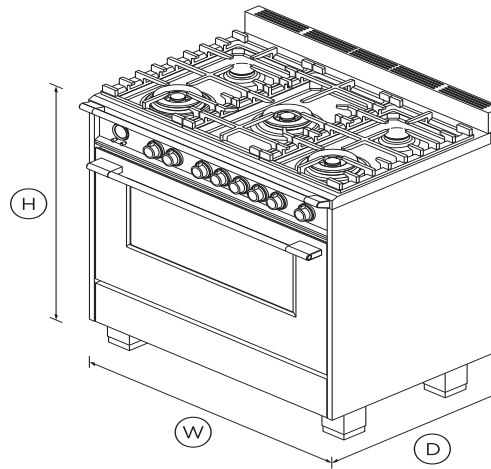


Get the best of both worlds with dual fuel. A gas cooktop is paired with a large, nine function convection oven.

- Five burner gas cooktop, including one dual ring and two triple ring wok burners
- Convection oven with 4.9 cu.ft total capacity and nine oven functions including Roast, Aero Pastry™ with pizza mode and rapid proof for baking bread
- Non-tip full-extension shelves for safe removal of hot dishes
- High-temperature self-cleaning function breaks down food residue for an easy clean

## DIMENSIONS

Height	35 3/4 - 37 1/4"
Width	35 7/8"
Depth	25 1/4"



## FEATURES & BENEFITS

### Multi-shelf cooking

Our AeroTech™ system circulates air evenly throughout the entire oven so dishes on the top shelf turn out just as perfect as food cooking on the bottom shelf.

### Quality and durability

Every detail has been carefully crafted. The solid, perfectly balanced soft-close door, durable cooktop grates and glowing halo dials all add up to an exceptional, premium range.

### Easy to clean

Cleaning up spills is effortless. Your cooktop simply needs a quick wipe to keep it looking good as new. The self-clean function breaks down food residue at a very high temperature, leaving a light ash that's easily removed with a damp cloth.

### Burner power & control

Instant and immediate control from the highest to the gentlest heat. The finely tuned cooktop controls let you sear, stir fry or simmer a delicate sauce to perfection.

### Large capacity oven

The generous 4.9 cu.ft total capacity oven gives you plenty of space to cook multiple dishes at once, with enough room to fit a 32 lb turkey.

### Precise control

Accurate electronically-controlled oven heat gives you better results in the kitchen.

## SPECIFICATIONS

### Accessories

2-pc grill system (Broil pan and	•
Broil pan	•
Broil rack	•
Full extension telescopic	2 sets (part 578744)
Small pot support	1 (part 533981)

### Accessories (sold separately)

Kick strip, black (optional)	KICKOR36B1
Kick strip, red (optional)	KICKOR36R1
Kick strip, stainless steel	KICKOR36X1
Kick strip, white (optional)	KICKOR36W1

**Burner ratings**

Dual wok burner inner/outer	<b>1000 - 18000BTU</b>
Dual wok burner inner/outer	<b>1000 - 18000BTU</b>
Maximum burner power	<b>18000 BTU</b>
Semi-rapid burner (LPG)	<b>1500 - 7600BTU</b>
Semi-rapid burner (natural)	<b>1500 - 8000BTU</b>
Total cooktop power	<b>62000 BTU</b>
Triple ring wok burner (LPG)	<b>6100 - 12000BTU</b>
Triple ring wok burner (natural)	<b>6100 - 14000BTU</b>

**Capacity**

Shelf positions	<b>7</b>
Total capacity	<b>4.9cu ft</b>
Usable capacity	<b>4.3cu ft</b>

**Cleaning**

Acid resistant graphite enamel	•
Drop down broil element	•
Drop down grill element	•
Flat easy clean glass surface	•
Pyrolytic proof shelf runners	•
Pyrolytic self-clean	•
Removable oven door	•
Removable shelf runners	•

**Controls**

Audio feedback	•
Automatic cooking/minute	•
Automatic pre-set	•
Celsius/Fahrenheit	•

Electronic capacitive touch	•
Electronic clock	•
High resolution display	•
Laser etched graphics	•
Precise electronic temperature	•
Sabbath mode	•
Turned stainless steel clock	•
Turned stainless steel clock	•

**Gas Requirements**

Supply Pressure (LPG)	<b>11" W.C.P</b>
Supply Pressure (natural gas)	<b>4" W.C.P</b>

**Oven features**

AeroTech™ technology	•
Auto re-ignition system	•
Automatic rapid pre-heat	•
Bright chromed, cast zinc dials	•
Concealed element	•
Electronic oven control	•
Full extension telescopic	•
Internal light	<b>4 x 25W halogen (2 side &amp; 2</b>
Soft open/close door	•
True convection	•
Turned stainless steel clock	•
Twin cavity fans	•
Warming drawer	•

**Oven functions**

Aero Bake	•
-----------	---

Aero Broil	•
Aero™ Pastry with Pizza mode	•
Bake	•
Broil	•
Number of functions	<b>9</b>
Rapid proof	•
Roast	•
Self-clean function	•
True Aero	•
True convection	•

**Oven performance**

Broil power	<b>4300W</b>
CoolTouch door	<b>Quadruple glazed</b>
Warming drawer power	<b>220W</b>

**Power requirements**

Amperage	<b>30A</b>
Supply frequency	<b>60Hz</b>

**Product dimensions**

Depth	<b>25 1/4"</b>
Height	<b>35 3/4 - 37 1/4"</b>
Width	<b>35 7/8"</b>

**Rangetop features**

Brass burner spreader (power)	•
Embossed brass burner cap	•
Hob rail	•
LPG/Natural gas compatible	•

Sealed range top •

---

**Rangetop Performance**

Number of burners 5

---

**Safety**

ADA compliant •

Advanced cooling system •

Anti-tilt bracket •

Balanced oven door •

Catalytic venting system •

Full extension telescopic **2 sets (part 578744)**

Full extension telescopic •

Non-tip shelves •

Spill containment **5/8 gallon**

---

SKU 81708

---

**Other product downloads available at fisherpaykel.com**



Service & Warranty



User Guide Freestanding Range EN



User Guide Freestanding Range EN



Guide d'installation FR



Installation Guide EN



**A PEACE OF MIND SALE**

**24 Hours 7 Days a Week Customer Support**

**T 1.888.936.7872 W www.fisherpaykel.com**

The product dimensions and specifications in this page apply to the specific product and model. Under our policy of continuous improvement, these dimensions and specifications may change at any time. You should therefore check with Fisher & Paykel's Customer Care Centre to ensure this page correctly describes the model currently available. ? Fisher & Paykel Appliances Ltd 2020